

Z1208-N VERTICAL SIPHON JET WATER CLOSET SUPPORT SYSTEM – NO-HUB

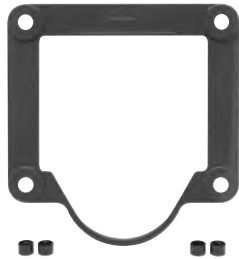


ENGINEERING SPECIFICATION

Zurn Z1208-N() vertical siphon jet water closet provides a rigid system with () size no-hub connections. Comes complete with Dura-Coated cast iron main fitting, separable faceplate rigidly mounted on fitting, universal floor mounted foot supports, corrosion resistant adjustable polymer coupling with integral test cap, fixture bolts, trim, and stud protectors. Includes rear anchor tie down, and bonded Neo-Seal gasket.

NOTES

1. Minimum "P" dimension obtainable = 2".
2. Feet anchored to floor using minimum 1/2" diameter anchors through rear slots on carrier feet.
3. Rear anchor foot required for secure installation.



Z1200-FINFRAME-SJ

Product Number	Dimensions in inches [mm]					Approximate Weight lb [kg]
	A	B	C	H	N	
Z1208-N32	3 [76]	18 [457]	2 [51]	4-3/8 [111]	6-1/4 [159]	60 [27]
Z1208-N42	4 [102]	24 [610]		4-7/8 [124]	6-5/8 [168]	70 [32]
Z1208-N44			4 [102]	6-1/2 [165]		72 [33]

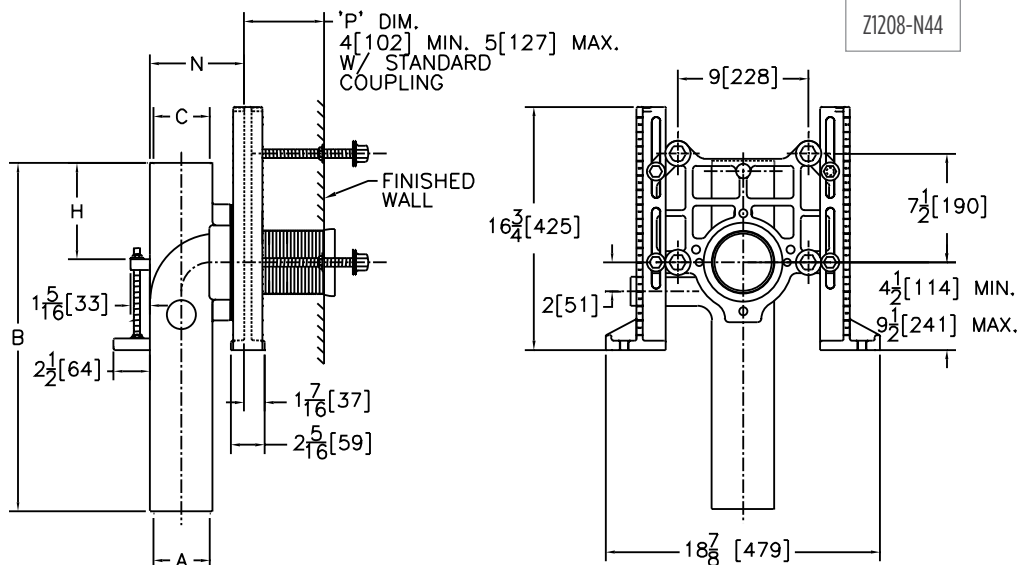
PREFIXES	DESCRIPTION	
Z1208*	D.C.C.I. System with 4" Adjustable Coupling	Combine with Fitting Type for Pricing

FITTING TYPE		
-N32	3" No-Hub, 2" No-Hub Vent	1,427.00
-N42	4" No-Hub, 2" No-Hub Vent	1,427.00
-N44	4" No-Hub, 4" No-Hub Vent	1,427.00

SUFFIXES		ADD
-A	Auxiliary Support Assembly (Required For P-Dim. Greater than 18")	861.00
-B	Blowout Type Fixture Support	N/C
-CC	Corrosion Resistant Cast Iron Coupling (6" to 12")	N/C
-CL	Custom length greater than 12" - Per Inch (Specify Length)	102.00
-JJ	Two 2" Auxiliary Inlets	724.00
-JL	2" Left-Hand Auxiliary Inlet	365.00
-JR	2" Right-Hand Auxiliary Inlet	365.00
-M	Auxiliary Foot Support (Required For P-Dim. 10" thru 18")	324.00
-VP	Vandal-Proof Trim	137.00
-X3	3" Foot Extension Assembly	90.00
-X4	4" Foot Extension Assembly	115.00
ⓐ -45	Finishing Frame for Siphon Jet System (For Blowout System specify -45-B)	84.00
ⓑ -50	Flush Valve Supply Support for Water Closet	90.00

DEDUCT		
-F	Floor Mounted, Back Outlet Fixture Support	-158.00

BEST SELLERS		LIST PRICE
Z1208-N32		1,427.00
Z1208-N42		1,427.00
Z1208-N44		1,427.00



Items designated as Best Sellers are most specified and are generally in stock for shipment.
 ⓐ This symbol denotes a product that is engineered to reduce installation and rework time.
 For Additional System Tools See "Z1200 Carrier Tools and Accessories" on page 214

*Regularly furnished unless otherwise specified.
 For additional product information, please visit www.zurn.com

INTRO
ROOF DRAINS
FLOOR DRAINS
T, P, BW VALVES
INTERCEPTORS
CARRIERS
HYDRANTS
CLEANOUTS
W/HA
SS DRAINS
FAB SS DRAINS
SANI-FLOOR
TECH INFO